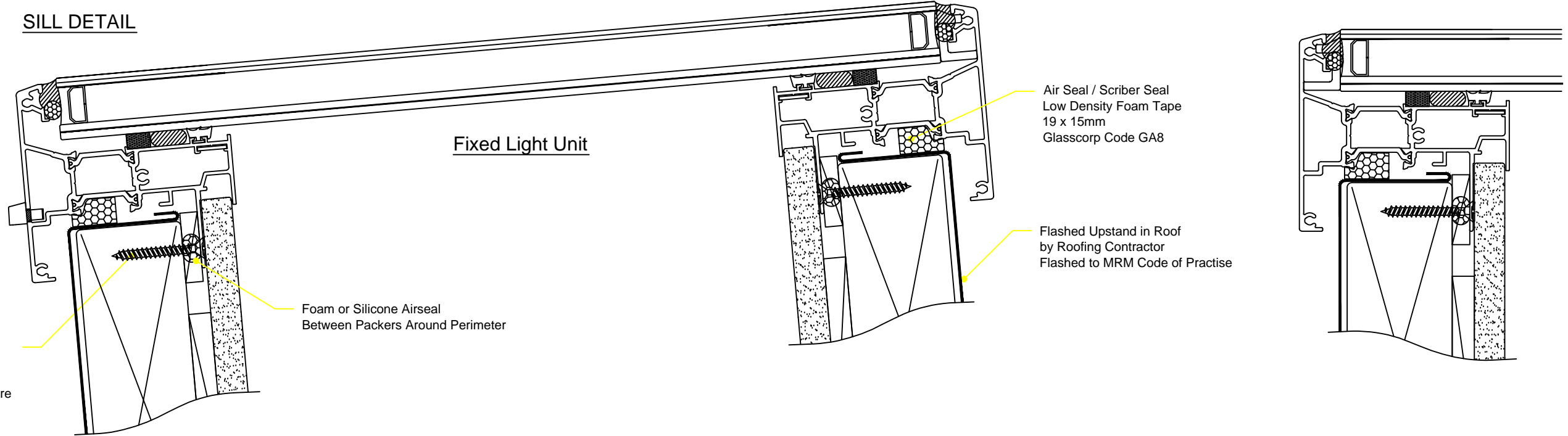


SILL DETAIL

HEAD DETAIL

JAMB DETAIL

Fixed Light Unit



SS 8G x 1.5\"/>

Foam or Silicone Airseal
Between Packers Around Perimeter

Air Seal / Scriber Seal
Low Density Foam Tape
19 x 15mm
Glasscorp Code GA8

Flashed Upstand in Roof
by Roofing Contractor
Flashed to MRM Code of Practise

ROOF-WINDOW

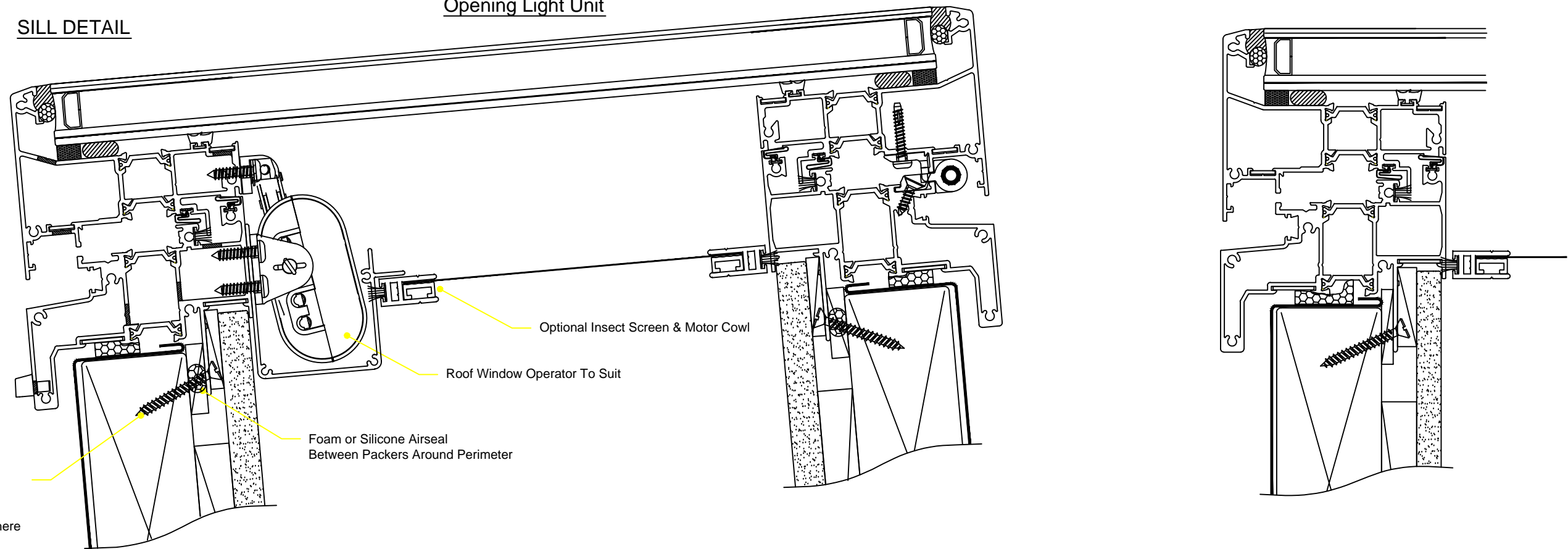
00
10
20
30
40
50
60
70
80
90
100

SILL DETAIL

HEAD DETAIL

JAMB DETAIL

Opening Light Unit



SS 8G x 1.5\"/>

Foam or Silicone Airseal
Between Packers Around Perimeter

Optional Insect Screen & Motor Cowl

Roof Window Operator To Suit

REV#	DESCRIPTION	DATE
REV1	PUBLISHED	06/09/17
REV2		
REV3		
REV4		

INSTALLATION

SCALE	1:2@A3	
	NAME	DATE
DRAWN	T.C	22/11/2016
CHECKED	M.C	21/12/2016



DRAWING No.

415.9.7

COPYRIGHT © 2011 MCKECHNIE ALUMINIUM SOLUTIONS LIMITED.
PLEASE CHECK THAT ALL DETAILS ARE UP TO DATE BEFORE
PROCEEDING. IF IN DOUBT ASK.